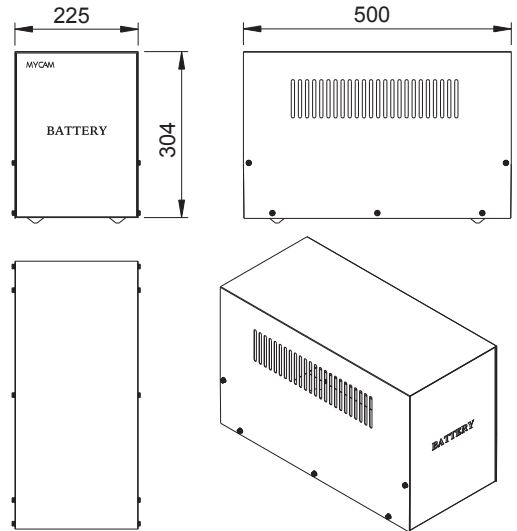
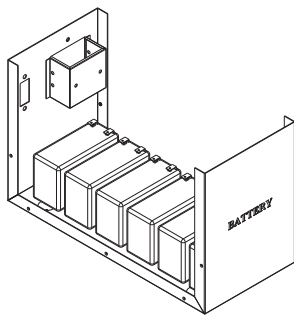


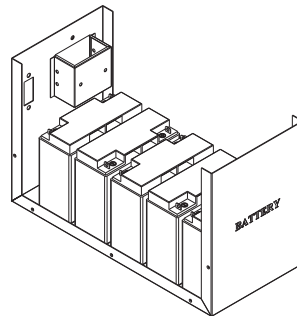
### Battery Cabinet



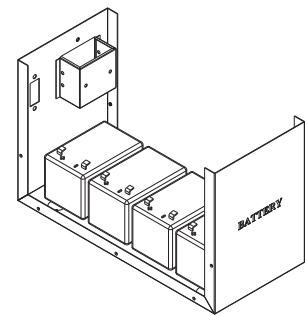
Model	Width(mm)	Depth(mm)	Height(mm)	Net Weight(kg)	Gross Weight(kg)
MC BC01	225	500	304	5.3	6



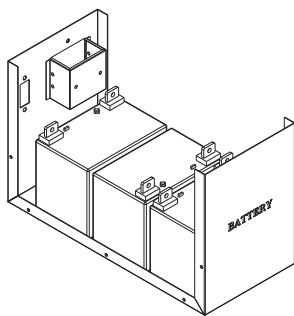
**6pcs Batteries**  
**6AH/7AH/9AH**  
 151 × 65 × 100 (L × W × H)



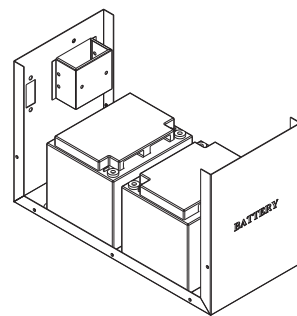
**5pcs Batteries**  
**15AH/20AH/22AH**  
 181 × 77 × 167 (L × W × H)



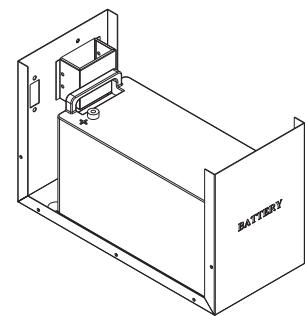
**4pcs Batteries**  
**12AH**  
 151 × 98 × 100 (L × W × H)



**3pcs Batteries**  
**33AH**  
 196 × 131 × 156 (L × W × H)



**2pcs Batteries**  
**38AH/45AH**  
 198 × 166 × 170 (L × W × H)



**1pc Battery**  
**100AH/120AH**  
 407 × 174 × 236 (L × W × H)